



PowerLite[®] 905 and 915W

MULTIMEDIA PROJECTORS



Ultra bright presentations. Comprehensive connectivity.

Captivate any classroom with ultra bright images from the PowerLite 905 and 915W. These leading-edge performers ensure brilliant presentations in any setting with 3200 lumens of color and white light output for the 915W and 3000 lumens of color and white light output for the 905¹. The PowerLite 905 and 915W are also equipped with a microphone input and premium 16 W speaker, so students will hear the lesson, without costly speakers or voice strain. Quickly connect the projector to a laptop or Blu-ray[®] player via HDMI digital input to enhance your presentation with exciting content. Advanced networking capabilities save time and money.

Ultra bright, brilliant presentations

- 3200 lumens color/white light output¹ and WXGA (1280 x 800) resolution (PowerLite 915W)
- 3000 lumens color/white light output¹ and XGA (1024 x 768) resolution (PowerLite 905)

Comprehensive connectivity for today and future teaching scenarios

- HDMI digital connectivity for both audio and brilliant video content with just one cable
- RJ-45 for remote monitoring/control or projecting content over the network

Engage the entire classroom without costly speakers or voice strain —

powerful 16 W speaker and built-in microphone input



PowerLite® 905 and 915W MULTIMEDIA PROJECTORS

The best-selling projectors in the world.

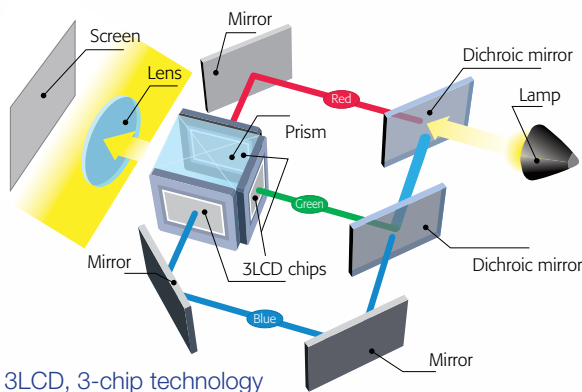
Epson understands education and has a solution no matter what your teaching scenario. Built with image quality and reliability in mind, Epson projectors enhance communication and inspire collaboration, while offering a low total cost of ownership. From long-throw projectors designed for traditional educational settings to ultra-short-throw and all-in-one solutions built for progressive classrooms, Epson has the model made for you.



3LCD technology — for quality and color that's beyond amazing

Innovative technology with proven reliability

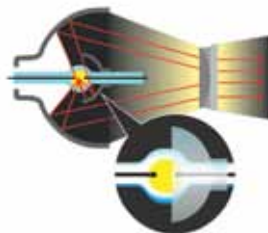
- 3 chips for full-time, vibrant color
- 25% less electricity required per lumen of brightness when compared to 1-chip DLP projectors²
- Over 20 years of road-tested reliability built into every projector



3LCD, 3-chip technology

Energy-efficient E-TORL® lamp, exclusively from Epson

- Long lamp life lasts up to 6000 hours³
- Minimizes both light diffraction and light leakage
- E-TORL lamps maximize your presentation time, while minimizing your costs



E-TORL lamp

Amazing light output

- 3200 lumens color light output and 3200 lumens white light output¹ (PowerLite 915W)
- 3000 lumens color light output and 3000 lumens white light output¹ (PowerLite 905)
- High color light output for bright, balanced, colorful images
- White light output that's measured using ISO 21118 (a more rigid standard than the outdated ANSI lumens rating used by some competitive products)



PowerLite 915W



PowerLite 905

RJ-45 network connectivity

- Project presentations over the network — transmit both audio and video with a single connection
 - Display images from any networked location, or, in up to 4 different classrooms simultaneously
 - Present remotely to support distance learning applications
 - Connect wirelessly, via a network access point, to promote collaborative sharing and an engaging learning environment



- Easily monitor/control networked Epson projectors remotely, using the RJ-45 connector and EasyMP® Monitor software
 - Save time and maintenance costs — power classroom projectors on and off without having to go to each individual classroom; set schedules for automatic events
 - Receive e-mail alerts when attention is required
 - Crestron RoomView enabled — monitor/control your projector with RoomView software, without the need for an A/V control box



Better Products for a Better Future™

For more information on Epson's environmental programs, go to eco.epson.com

Eco Features

- Energy-efficient 3LCD light engine
- Low power consumption of 0.3 W in Standby Mode (communication off)
- Energy-efficient E-TORL lamp
- Designed to be recycled⁴
- Epson America, Inc. is a SmartWaySM Transport Partner.⁵



High-quality images with HDMI digital connectivity

- Deliver both audio and brilliant video content with just one cable
- Compatible with the latest laptops, Blu-ray and media players



Advanced 3-in-1 USB Plug 'n Play instant setup

- Three features, all with one standard USB connection — display your presentation, transmit audio and control your presentation
- Compatible with Windows® and Mac®



Remarkable widescreen performance (PowerLite 915W only)

Featuring WXGA resolution (1280 x 800, 16:10 aspect ratio), the PowerLite 915W is ideal for use with the latest generation widescreen computers, and great for projecting widescreen content. It gives you:

- 30% more image area than a 4:3 image
- 10% more image area than a 16:9 image

The PowerLite 915W still allows you to display 4:3 and 16:9 content.

SVGA



800 x 600

Meets basic projection needs

XGA



1024 x 768

Ensures sharper detail

WXGA



1280 x 800

Offers the highest quality and is ideal for widescreen (16:10) display

Built-in closed captioning

- Essential for education — helps meet ADA508 requirements for students with hearing impairments
- Helps save money — no need to pay for an additional decoder and its installation



Fast, easy setup and control

- 1.6x optical zoom and automatic vertical keystone correction (+/- 30 degrees) — offers easy picture adjustments and great positioning flexibility
- Manual horizontal keystone correction (+/- 30 degrees) — for the ultimate placement flexibility
- Direct Power On/Off — power the projector on and off with the flip of a light switch
- Instant Off® — no cool-down time required, so it's ready to shut down when you are
- A/V Mute — control your presentation using the remote or by closing the slide; it's right at your fingertips
- Sleep Mode — set from 1 to 30 minutes to save energy and lamp life when the A/V Mute Slide is closed or no signal is detected



Additional Features

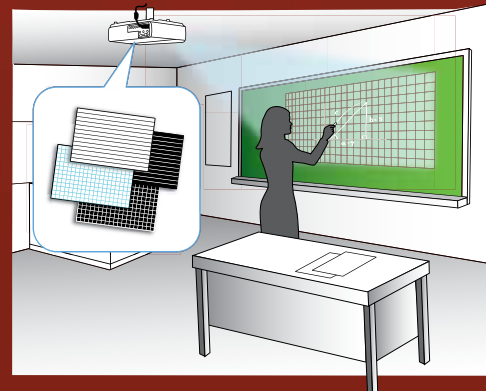
- **Versatile connectivity for the classroom** — HDMI, USB, audio out, monitor out, computer/VGA inputs, LAN and RS-232c
- **Wireless capabilities** — via the optional wireless module with either:
 - Included software (Mac and PC) or
 - Optional Quick Wireless Connection USB key for fast ad hoc wireless connectivity (PC only)
- **Broadcast your messages** — advertise events or broadcast instructions to all networked Epson projectors®
- **Virtual projector remote control on your computer** — controls networked projectors via a web browser; Mac and PC compatible
- **Expanded USB functionality** — partner your projector directly with the Epson DC-06 document camera, or, deliver PC-free slideshows using a USB flashdrive (supports multiple file formats — JPEG, PNG, GIF and BMP)
- **Added security in any environment** — convenient metal anchor bar and Kensington® lock support
- **New high-density filter** — twice the surface area of our previous generation adds a higher level of protection

Built-in 16 W speaker and microphone input

- Captivate your entire classroom with 16 W of powerful sound — without purchasing costly speakers or straining the teacher's voice
- Microphone input works with wired or wireless dynamic or condenser microphones
- Simply adjust the volume using the projector remote control

Built-in teaching aids save time

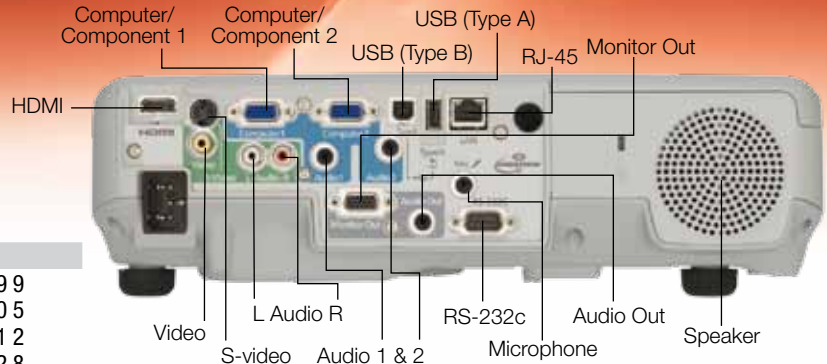
- Choose from four pre-set templates or create a custom template to project lines or grids onto whiteboards or chalkboards
- Eliminates the need to draw lines on the board, use grids for graphs, and more
- Simply display the pattern by using the customizable User button on the projector remote control



Easily project lines or grids with built-in templates

PowerLite® 905 and 915W

Multimedia Projectors



Product Name	Product Code	UPC
PowerLite 905 projector	V11H387020	0 10343 88039 9
PowerLite 915W projector	V11H388020	0 10343 88040 5
Genuine Epson lamp (905 only)	V13H010L60	0 10343 88041 2
Genuine Epson lamp (915W only)	V13H010L61	0 10343 88052 8
Replacement air filter	V13H134A29	0 10343 88051 1

Specifications

Projection System
Epson 3LCD, 3-chip technology

Projection Method
Front/rear/ceiling mount

Driving Method
Epson Poly-silicon TFT Active Matrix

Pixel Number
905: 786,432 dots (1024 x 768) x 3
915W: 1,024,000 dots (1280 x 800) x 3

White Light Output¹
905: 3000 lumens (ISO 21118 standard)
915W: 3200 lumens (ISO 21118 standard)

Color Light Output¹
905: 3000 lumens
915W: 3200 lumens

Aspect Ratio
905: 4:3
915W: 16:10

Native Resolution
905: 1024 x 768 (XGA)
915W: 1280 x 800 (WXGA)

Resize
640 x 480 (VGA), 800 x 600 (SVGA),
1024 x 768 (XGA/915W only), 1152 x 864
(SXGA), 1280 x 800 (WXGA/905 only),
1280 x 960 (SXGA2), 1280 x 1024 (SXGA3),
1280 x 768 (WXGA 60-1/905 only), 1360 x 768
(WXGA 60-2), 1440 x 900 (WXGA+),
1400 x 1050 (SXGA+), 1600 x 1200 (UXGA)

Lamp Type
905: 200 W UHE (E-TORL)
915W: 230 W UHE (E-TORL)

Lamp Life³
905/915W: Up to 6000 hours (ECO Mode)
905: Up to 5000 hours (Normal Mode)
915W: Up to 4000 hours (Normal Mode)

Throw Ratio Range
1.38 – 2.24

Size (projected distance)
905: 30" to 300" (0.84 to 8.4 m)
915W: 29" to 280" (0.84 to 8.4 m)

Keystone Correction Automatic
Vertical ± 30 degrees

Keystone Correction Manual
Horizontal ± 30 degrees

Mac Connectivity
Projector is Mac compatible via USB, DVI to
HDMI or VGA adapter (not included)

Contrast Ratio
Up to 2000:1

Color Reproduction
16.77 million colors

Projection Lens

Type
Manual optical zoom/Manual focus

F-number
1.51 – 1.99

Focal Length
18.2 mm – 29.2 mm

Zoom Ratio
Optical zoom 1.0 – 1.6

Other

Display Performance
NTSC: 480 lines
PAL: 576 lines
(Depends on observation of the multi-burst
pattern)

Input Signal
NTSC/NTSC4.43/PAL/M-PAL/N-PAL/PAL60/
SECAM

Interfaces
Computer/component video: D-sub 15 pin x 2
S-video: Mini DIN x 1
Composite video: RCA (Yellow) x 1
Audio in: RCA x 1 (L and R), Mini stereo x 2
USB connector: Type B x 1
(USB display, audio and mouse control)
USB connector: Type A x 1
(USB memory/document camera)
HDMI x 1
RJ-45 x 1
Serial: RS-232c x 1
Monitor out: D-sub 15 pin x 1
Audio out: Mini stereo x 1
Microphone: Mini stereo x 1
Wireless LAN port: 802.11 b/g/n
(optional – module sold separately)

Speaker
16 W (mono)

Operating Temperature
41 ° to 95 °F (5 ° to 35 °C)

Power Supply Voltage
100 – 240 V ± 10%, 50/60 Hz

Power Consumption
905: 313 W
915W: 355 W
0.3 W Standby (communication off)

Fan Noise
905: 33 dB (Normal Mode) / 28 dB (ECO Mode)
915W: 37 dB (Normal Mode) / 29 dB (ECO Mode)

Security
Kensington-style lock provision
Padlock and security cable hole
Password protect function

Dimensions (W x D x H)

Including feet: 13.6" x 10.3" x 4.2"
Excluding feet: 13.6" x 10.3" x 3.7"

Weight
7.4 lb

Remote Control

Features
Source search, video, LAN, computer, USB,
power, aspect, color mode, volume, e-zoom,
A/V mute, freeze, menu, page up and down,
help, auto, mouse functions, user, esc

Operating Angle
Right/left: ± 30 degrees
Upper/lower: ± 30 degrees

Operating Distance
19' (6 m)

Support

The Epson ConnectionSM
Pre-sales support
U.S. and Canada 800-463-7766
Internet website www.epson.com

Service Programs
Two-year projector limited warranty, Epson
Road Service program, PrivateLine[®] dedicated
toll-free support and 90-day limited lamp
warranty

What's In The Box
PowerLite 905 or 915W projector, power
cord, computer cable (VGA), projector
remote control, batteries, user manual CD,
projector software CD, Quick Setup Sheet,
PrivateLine support card, and password
protection sticker

Accessory Part Numbers

Genuine Epson lamp (905 only)	V13H010L60
Genuine Epson lamp (915W only)	V13H010L61
Air filter	V13H134A29
Wireless LAN unit (ELPAP07)	V12H418P12
Quick wireless connection USB key (ELPAP08)	V12H005M08
Epson DC-06 document camera (ELPDC06)	V12H321005
Epson DC-10s document camera (ELPDC11)	ELPDC10S
AP-60 projector sound solution Universal projector ceiling mount	V12H377020
Adjustable suspended ceiling channel kit	V12H329020
False ceiling plate kit	ELPMBPJF
Structural round ceiling plate	ELPMBP01
Adjustable extension column (pipe) 8"-11"	ELPMBP02
Component to VGA cable	ELPMBP03
Kensington security lock	ELPMB01
Soft carrying case (ELPKS64)	ELPMB02
50" portable screen	ELPMB03
Duet™ screen	ELPMB01
ES3000 portable screen (ELPSC26H)	ELPMB02
BrightLink Solo™ interactive module (IU-01)	ELPMB03
BrightLink Solo interactive module with RM Easiteach (IU-01)	ELPMB01
	V12H415020
	V12H415020RM

Packaging Specifications

PowerLite 905/915W
Dimensions: 19.1" x 14.1" x 6.7" (W x D x H)
Weight:
905: 11.2 lb
915W: 11.3 lb

Genuine Epson Lamp
Dimensions: 6.3" x 5.6" x 5.6" (W x D x H)
Weight: 0.7 lb
Master Carton
Dimensions: 28.4" x 13.1" x 6.8" (W x D x H)
Weight: 9.5 lb
Units Per Master Carton: 10

Replacement Air Filter
Dimensions: 4.9" x 3.9" x 1.2" (W x D x H)
Weight: 0.1 lb
Master Carton
Dimensions: 12.7" x 5.2" x 4.6" (W x D x H)
Weight: 1.1 lb
Units Per Master Carton: 10

1 White and color light output will vary depending on mode selected. White light output measured using ISO 21118 standard.
2 Data source: ProjectorCentral.com, Jan. 2010. Average of 910 shipping models for which the manufacturers provided lumens and total power data, all resolutions and brightness levels.
3 Lamp life will vary depending upon mode selected, environmental conditions and usage. Lamp brightness decreases over time.
4 See our website for convenient and reasonable recycling options at www.epson.com/recycle
5 SmartWay is an innovative partnership of the U.S. Environmental Protection Agency that reduces greenhouse gases and other air pollutants and improves fuel efficiency.
6 Works only with Epson projectors that support presentation over the network capability.