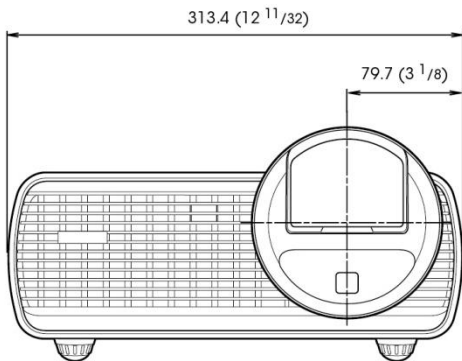


Short Throw Projector VPL-SW125

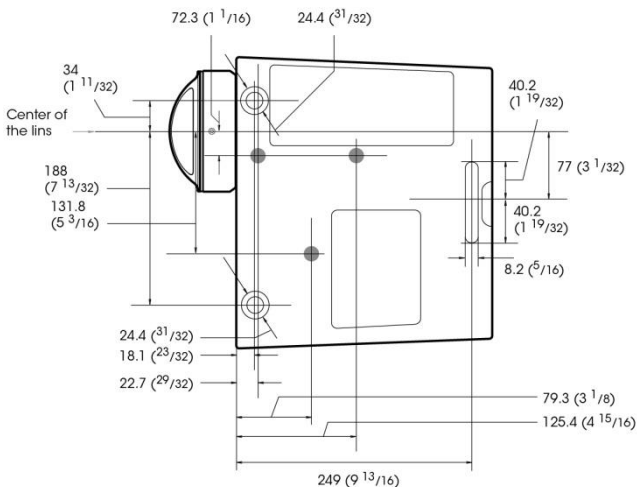
Key Features

- 2,600 lumens (ISO 21118)
- Native WXGA (1,280x800) resolution
- High contrast ratio
- Bright Era® Panel
- Short throw distance (TR= 0.62:1)
- Long-lasting lamp
- Recommended lamp replacement time 6000h (low mode)*2
- Synchronized lamp and filter maintenance cycle
- ECO MODE key
- Power saving mode
- Low power consumption
- Closed Captioning
- Convenient terminals including 1xHDMI®

Dimensions (Front) Unit: mm (inches)



Dimensions (Bottom)



Optical		
Light Output / Color Light Output	2600 lumens (Lamp mode: High) 1800 lumens (Lamp mode: Standard) 1400 lumens (Lamp mode: Low)	
LCD Panels	0.59"x3 BrightEra LCD Panel	
Panel Display Resolution	WXGA (1280x800 dots)	
Contrast Ratio	3,800:1 (Full white/full black) *1	
Light Source	Ultra high-pressure mercury lamp 210 W type	
Recommended Lamp Replacement Time*2	3000H (Lamp mode: High) 4500H (Lamp mode: Standard) 6000H (Lamp mode: Low)	
Filter Cleaning Cycle*2	Max. 6000H Same time as the lamp replacement is recommended	
Projection Lens	Focus	Manual
	Throw Ratio	0.62:1
Screen Size	50" to 100"	
Interface		
Computer and Video Input/Output	INPUT A	Mini D-sub 15-pin (RGB/Y Pb Pr) Audio: Stereo mini jack
	INPUT B	HDMI (HDCP compatible)
	VIDEO IN	Pin Jack Audio : Pin jack (x2) (shared with S VIDEO IN)
	S VIDEO IN	Mini DIN 4-pin Audio : Pin jack (x2) (shared with VIDEO IN)
	Monitor OUT	Mini D-sub 15-pin (from INPUT A)
	Audio OUT	Stereo mini jack (variable out)*3
Other Signal Input/Output	RS-232C	D-sub 9-pin
	LAN	RJ45, 10BASE-T/100BASE-TX
General		
Speaker	1Wx1 (monaural)	
Scanning Frequency	H: 19 to 92 kHz, V: 48 to 92 Hz	
Display Resolution	Computer Signal Input	Maximum display resolution : 1400x1050 dots (resizing display)
	Video Signal Input	NTSC, PAL, SECAM, 480/60i, 576/50i, 480/60p, 576/50p, 720/60p, 720/50p, 1080/60i, 1080/50i
Color System	NTSC3.58, PAL, SECAM, NTSC4.43, PAL-M, PAL-N, PAL60	
UPC Code	0 27242 82408 9	
Power Requirements	AC 100 V to 240 V, 50 Hz/60 Hz	
Power Consumption	290 W/240 W/205 W (AC 100 V-120 V) 275 W/225 W/190 W (AC 220 V-240 V)	
Standby Mode Power Consumption	3 W (Std)/<1.0 W (Low) (AC 100V-120 V) 3 W (Std)/<1.0 W (Low) (AC 220V-240 V)	
Dimensions (WxHxD) (without protrusion)	313.4x144.9x349.3 mm 12 11/32x5 23/32x13 3/4 "	
Mass	3.7 kg /8 lb 3 oz	
Optional Accessories		
Replacement Lamp	LMP-E211	
Replacement Filter	4-170-764-01 (DOOR, FILTER) 4-170-765-01 (Mesh, FILTER) (Filters are cleanable)	
Replacement Remote	1-489-222-11 (RM-PJ7)	

*1 Average with lamp dimming.

*2 Expected maintenance times not guaranteed. Lamp and filter performance vary based on operating environment and use.

*3 Works as an audio switcher function. Output from a selected channel, not available in standby.

Connector Panels

