

DIGITAL PROJECTOR

LX60ST

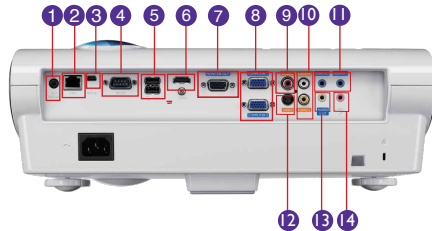


Features

- Native XGA (1024 x 768) Resolution
- 2000 ANSI Lumens, 80000:1 Contrast Ratio
- 0.6 Throw Ratio, Light Source Pure Laser
- LAN Control, Display, USB Reader/Display
- 20W Speaker, HDMI x 1, Wireless Display (optional)



Input and Output Terminals



- | | |
|---------------------|----------------------------|
| 1 12 V Trigger | 8 Computer-1/ Computer-2 |
| 2 LAN (RJ45) | 9 S-Video |
| 3 USB (Type Mini B) | 10 Audio L/R In (RCA) |
| 4 RS-232 (DB-9pin) | 11 Audio In 1 / Audio In 2 |
| 5 USB (Type A) x 2 | 12 Video |
| 6 HDMI | 13 Audio Out |
| 7 Monitor Out | 14 Microphone in |

Specifications

Projection System	DLP
Native Resolution	XGA(1024 x 768)
Brightness	2000 ANSI lumens
Contrast Ratio	80000:1
Display Color	1.07 Billion
Lens	F=2.59, f=6.95mm
Aspect Ratio	Native 4:3 (5 aspect ratio selectable)
Throw Ratio	0.6 (81" @ 3.28ft)
Image Size (Diagonal)	80"~300"
Zoom Ratio	Fixed
Light Source	Laser Diode
Light Source Life (Nor/Eco Mode)*	10000/20000 hrs (Normal/Eco)
Keystone Adjustment	1D, Vertical +/- 30 degrees (Auto/Manual)
Projection Offset	130% +/- 5%
Resolution Support	VGA(640 x 480) to UXGA(1600 x 1200)
Horizontal Frequency	31K~102KHz
Vertical Scan Rate	23~120Hz
HDTV Compatibility	480i, 480p, 576i, 576p, 720p, 1080i, 1080p
Video Compatibility	NTSC, PAL, SECAM
3D Compatibility (PC)	120Hz Frame Sequential 3D for resolutions up to WXGA 60Hz Top-bottom 3D for resolutions up to SXGA+
3D Compatibility (Video)	60Hz Frame Sequential 3D resolutions up to WXGA 60Hz Frame Sequential 3D for resolutions up to 480i
Interface	Computer in (D-sub 15pin) x 2 (shared with Component video) Monitor out (D-sub 15pin) x 1 Composite Video in (RCA) x 1 S-Video in (Mini DIN 4pin) x 1 Audio in (Mini Jack) x 2 Audio L/R in (RCA) x 1 Audio out (Mini Jack) x 1 Microphone in (Mini Jack) x 1 Speaker 10W x 2 HDMI V1.3 x 1 LAN (RJ45) x 1 (LAN Control & LAN Display) USB (Type A) x 2 (USB Reader&Keyboard/Mouse&Wireless Dongle) USB (Type Mini B) x 1 (USB Display & Download & Page up/down) DC 12V Trigger (3.5mm Jack) x 1 RS232 (DB-9pin) x 1
Dimensions (W x H x D)	15.5" x 5.89" x 11.73" (include adjustment footer)
Weight	11.24 lbs (5.1kg)
Power Supply	100 to 240 VAC, 50 to 60 Hz
Power Consumption	270W(Max), Standby<0.5W
Audible Noise	33/32 (Normal/Eco)
On-Screen Display Languages	Arabic/ Bulgarian/ Croatian/ Czech/ Danish/ Dutch/ English/ Finnish/ French/ German/ Greek/ Hindi/ Hungarian/ Italian/ Indonesian/ Japanese/ Korean/ Norwegian/ Polish/ Portuguese/ Romanian/ Russian/ Simplified Chinese/Spanish/ Swedish/ Turkish/ Thai/ Traditional Chinese (28 Languages)
Picture Modes	Dynamic/Presentation/sRGB/Cinema/User 1/User 2
Accessories (Standard)	Remote Control w/ Battery, Power Cord, User Manual CD, Quick Start Guide, Warranty Card, VGA(D-sub 15pin) Cable
Accessories (Optional)	0.6 Wall Mount P/N: 5J.J4R10.001 Wireless USB Dongle P/N: 5J.J0614.A21 3D Glasses P/N: 5J.J0T14.011 Carry Bag
Limited Warranty	3 Years Parts/Labor

*Lamp life results will vary depending on environmental conditions and usage. Actual product's features and specifications are subject to change without notice.

LX60ST 12-01-11-BQus



BenQ America Corp.
15375 Barranca Parkway, Suite A-205, Irvine, CA 92618 Tel: (949) 255-9500 www.BenQ.us

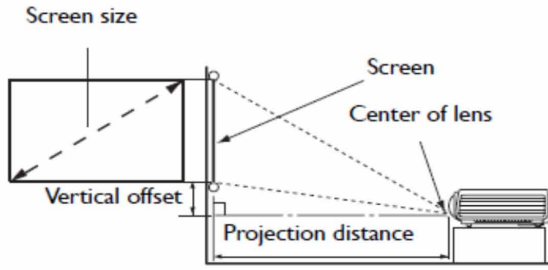
BenQ is a registered trademark of BenQ Corp. DLP is a registered trademark of Texas Instruments. All rights reserved. Product names, logos, brands, and other trademarks featured or referred to in this materials are the property of their respective trademark holders. Specifications subject to change without notice.



Enjoyment Matters

LX60ST Digital Projector

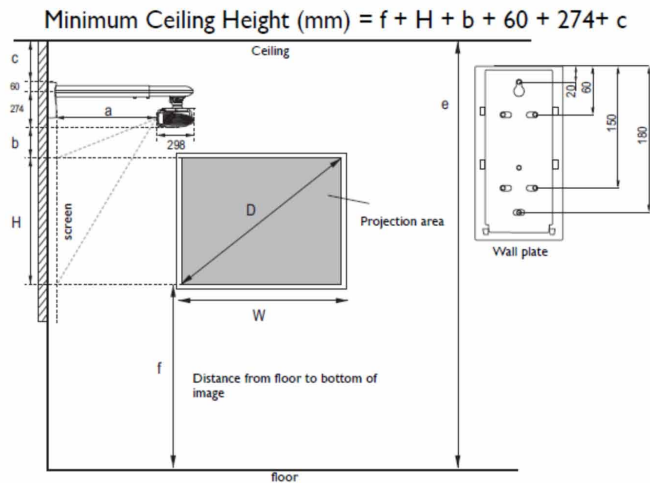
Distance Chart



Screen size				Distance from screen (mm)	Vertical offset (mm)
Diagonal		W (mm)	H (mm)		
Inch	mm	(mm)	(mm)		
80	2032	1626	1219	988	183
100	2540	2032	1524	1235	229
120	3048	2438	1829	1481	274
150	3810	3048	2286	1852	343
180	4572	3658	2743	2222	411
200	5080	4064	3048	2469	457
220	5588	4470	3353	2716	503
240	6096	4877	3658	2963	549
270	6858	5486	4115	3333	617
300	7620	6096	4572	3704	686

Wall Mount / Ceiling Mount Chart

Computer Resolution: XGA Image Resolution: XGA	Diagram Reference	SMART Board 660	SMART Board 680	Promethean ActivBoard 164	Promethean ActivBoard 178	RM ClassBoard 77.5	Hitachi StarBoard FX-43	StarBoard FX-77
Image Diagonal (inches)	D	64	77	64	78	77.5	63	77
Image Height (mm)	H	975	1173	975	1189	1881	960	1173
Image Width (mm)	W	1300	1565	1300	1585	1575	1280	1565
Distance from floor to bottom of image (mm)	f	900	900	900	900	900	900	900
Distance from screen surface to projector lens (mm)	a	790	951	790	963	957	778	951
Distance from top case to the top of image (mm)	b	78.6	108.6	78.6	110.6	109.6	76.6	108.6
Distance from top of wall mount to ceiling (mm)	c	50	50	50	50	50	50	50
Minimum Ceiling Height (mm)	e	2337.6	2565.6	2337.6	2583.6	3274.6	2320.6	2565.6



Dimensions

