

DIGITAL
PROJECTOR

MX631ST

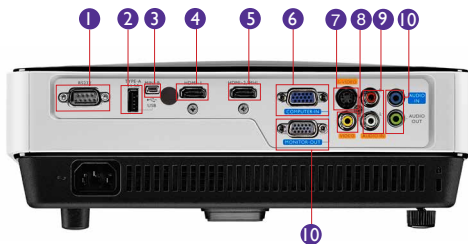


Features

- Native XGA (1024x768) Resolution
- 3,200 ANSI Lumens, 13,000:1 Contrast Ratio
- 0.9 Short Throw Lens Design
- Up to 10,000 Hours Long Lamp Life
- HDMI x 2, MHL
- 10W Speaker



Input and Output Terminals



- | | |
|---------------------|------------------------------|
| 1 RS232 (DB-9pin) | 6 Computer in (D-sub 15pin) |
| 2 USB (Type A) | 7 S-Video (Mini DIN 4-pin) |
| 3 USB (Type Mini-B) | 8 Composite Video in |
| 4 HDMI-I | 9 Audio in/L/R (RCA) |
| 5 HDMI-2/MHL | 10 Audio In/Out (Mini Jack) |
| | 11 Monitor Out (D-sub 15pin) |

Specifications

Projection System	DLP®
Native Resolution	XGA (1024x768)
Brightness	3200AL
Contrast Ratio	13000:1
Display Color	1.07 Billion Colors
Lens	F=2.6-2.78, f=10.2-12.24mm
Aspect Ratio	Native 4:3 (5 aspect ratio selectable)
Throw Ratio	0.9~1.08 (78" @ 1.44m)
Image Size (Diagonal)	60"~120"
Zoom Ratio	1.2:1
Lamp Type	196W
Lamp (Normal/Economic/SmartEco Mode)*	4500/6000/6500/10000 hours
Keystone Adjustment	1D, Auto Vertical +/- 30 degrees
Projection Offset	110% ±5%
Resolution Support	VGA(640 x 480) to WUXGA_RB(1920 x 1200) *
Horizontal Frequency	15K~102KHz
Vertical Scan Rate	23~120Hz
Compatibility	HDTV Compatibility: 480i, 480p, 576i, 576p, 720p, 1080i, 1080p Video Compatibility: NTSC, PAL, SECAM 3D Compatibility: PC: 120Hz Frame Sequential 3D for resolutions up to WXGA PC: 60Hz Top-bottom 3D for resolutions up to SXGA+ Video: 60Hz Frame Sequential 3D for resolutions up to 480i
Interface	Computer in (D-sub 15pin) x 1 (Share with component) Monitor out (D-sub 15pin) x 1 Composite Video in (RCA) x 1 S-Video in (Mini DIN 4pin) x 1 HDMI x 2 (one share with MHL 2.0) Audio in (Mini Jack) x 1 Audio L/R in (RCA) x 1 Audio out (Mini Jack) x 1 Speaker 10W x 1 USB (Type mini B) x 1 (Download & Page up/ down) USB (Type A) x 1 (1.5A power supply) RS232 (DB-9pin) x 1 IR Receiver x2 (Front+Top)
Dimensions (WxHxD)	287.3 x 114.4x 232.6 mm / 11.3" x 4.5" x 9.15"
Weight	2.6 KG / 5.7 lbs
Power Supply	AC100 to 240 V, 50 to 60 Hz
Power Consumption	Normal 305W. Eco 220W. Standby <0.5W
Audible Noise	33/28 dBA (Normal/Economic mode)
Languages	Arabic/Bulgarian/ Croatian/ Czech/ Danish/ Dutch/ English/ Finnish/ French/ German/ Greek/ Hindi/ Hungarian/ Italian/ Indonesian/ Japanese/ Korean/ Norwegian/ Polish/ Portuguese/ Romanian/ Russian/ Simplified Chinese/Spanish/ Swedish/ Turkish/ Thai/ Traditional Chinese (28 Languages)
Picture Mode	**Bright / Presentation / sRGB / Cinema / (3D) / User 1 / User 2
Accessories (Standard)	Remote Control w/ Battery, Power Cord, User Manual CD, Quick Start Guide, Warranty Card, VGA(D-sub 15pin) Cable
Accessories (Optional)	Spare Lamp Kit P/N: 5J.J9V05.001 Ceiling Mount P/N: 5J.J4N10.001 3D Glasses P/N: 5J.J9H25.001 Carrying Bag P/N: 5J.J3T09.001
UPC / Part #	8400460-3285-2 / P/N: 9H.JE177.13A
Limited Warranty	1 Year Part/Labor; 1 Year or 2000 hours of lamp life



*Lamp life results will vary depending on environmental conditions and usage. Actual product's features and specifications are subject to change without notice.

** Default mode is Presentation. When 3D is on, Picture Modes only shows 3D. When 3D is off, it is not shown in Picture Modes.



BenQ America Corp.
www.BenQ.us

BenQ is a registered trademark of BenQ Corp. All rights reserved. Product names, logos, brands, and other trademarks featured or referred to in this material are the property of their respective trademark holders. Specifications subject to change without notice.

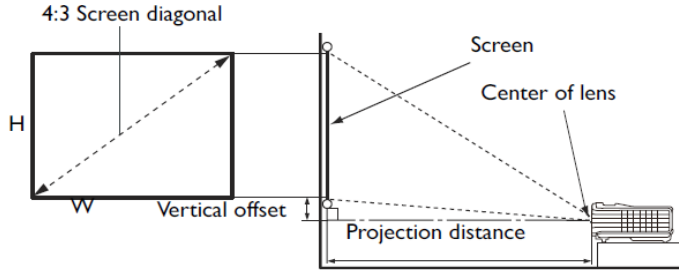
MX631ST 060115_BQca-BQus



Because it matters

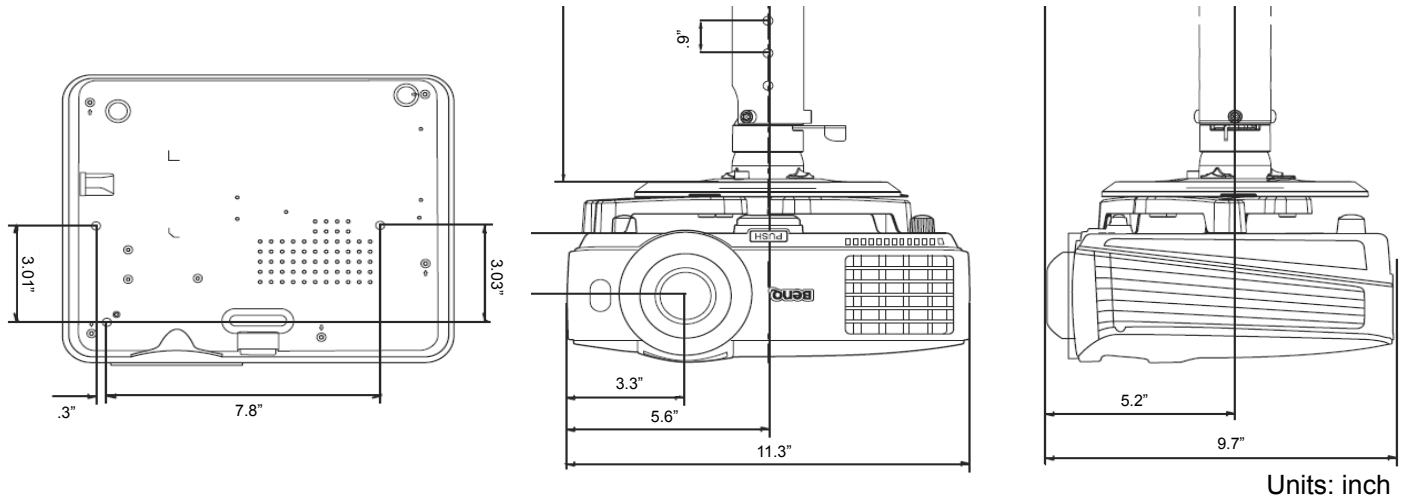
MX63 IST Digital Projector

Distance Chart



Screen Size				Distance from screen (mm / inch)			Vertical offset (mm / inch)
Diagonal		W mm / inch	H mm / inch	Min length	Average	Min length	
Inch	mm			Max zoom		Max zoom	
40	1016	32	24	28.8	31.7	34.6	1.1
50	1270	40	30	36.1	39.7	43.3	1.4
60	1524	48	36	43.3	47.6	52.0	1.8
80	2032	64	48	57.7	63.5	69.3	2.4
100	2540	80	60	72.2	80.7	86.6	2.9
120	3048	96	72	86.6	95.3	104.0	3.5
150	3810	120	90	108.3	119.2	130	4.4
200	5080	160	120	144.4	158.9	173.3	5.9
220	5588	176	132	158.9	174.8	190.7	6.6
250	6350	200	150	180.5	198.6	216.7	7.5
300	7620	240	180	216.7	238.3	260.1	9.0

Ceiling Mount Chart



Dimensions

