

SONY VPL-GTZ280

4K SXRD® 5000lm* / 2000lm Laser Light Source Projector

Sony combines the best of its projection technologies, 4K SXRD imager and Z-Phosphor™ laser light source, to create a projector with native 4K resolution, high-speed signal processing, fast motion blur reduction, infrared light output for night vision, and vibration resistance – all ideal for visualization, simulation and training applications.

*5000lm with LSM-BRIN1 optional upgrade

Key Features/Benefits

Great Image Quality

- Native 4K resolution
- Super high contrast ratio
- Reality Creation 4K upscaling
- HDR compatible*¹
- 120Hz input*¹
- Smear reduction
- Fine multi-projection blending

Virtually Zero Maintenance

- Long-life optics up to 20,000h (up to 40,000h using the LSM-BRIN1 optional upgrade)*²
- Sealed optics for dust-resistance
- Auto calibration
- Constant brightness mode using the LSM-BRIN1 optional upgrade

Advanced Usability

- Complete tilt-angle free
- One-way air flow and liquid cooling system with low noise operation
- Quick start enhances operation
- Low transport delay
- Infrared light output*¹ for night vision goggle stimulation



Model		VPL-GTZ280
Display System		4K SXRD panel, projection system
Display device	Size of effective display area	0.74" x 3
	Number of pixels	26,542,080 (4096 x 2160 x 3) pixels
Projection lens* ³	Focus	Powered
	Zoom	Powered
Light Source		Laser diode
Light output		2,000 lm 5,000 lm using the LSM-BRIN1 optional upgrade
Color light output		2,000 lm 5,000 lm using the LSM-BRIN1 optional upgrade
Contrast ratio		Up to 20,000:1* ² (native contrast)
Accepted digital signals* ⁴		VGA, SVGA, XGA, WXGA(1280x768), Quad-VGA, SXGA, 720x480/60p, 720x576/50p, 1280x720/50p, 1280x720/60p, 1920x1080/24p, 1920x1080/50p, 1920x1080/60p, 3840x2160/24p, 3840x2160/50p, 3840x2160/60p, 3840x2160/100P, 3840x2160/120P, 4096x2160/24p, 4096x2160/50p, 4096x2160/60p, 4096x2160/100P, 4096x2160/120P
Color bit depth		Up to 10 bit
INPUT OUTPUT (Computer/Video/Control)	Display Port	4 inputs (HDCP 1.3 x 2, HDCP 1.3 for V Split x 2), Digital (RGB)
	TRIGGER	2 connectors, Mini jack, DC 12V Max.100 mA
	REMOTE	RS-232C, D-sub 9-pin (female)
	LAN	RJ45, 10BASE-T/100BASE-TX
	IR IN / OUT	IN:1, Out:1, Mini jack
	SYNC	IN:1, Out:1
	USB	Type A
OSD languages		18-languages (English, Dutch, French, Italian, German, Spanish, Portuguese, Turkish, Russian, Swedish, Norwegian, Japanese, Simplified Chinese, Traditional Chinese, Korean, Thai, Arabic, Polish)
Acoustic noise		30 dB ~ 35 dB* ²
Operating temperature / Operating humidity		41°F to +104°F (5°C to 40°C)/20% to 80% (no condensation)
Storage temperature / Storage humidity		14°F to +140°F (-10°C to +60°C)/20% to 80% (no condensation)
Power requirements		AC 220 V to 240 V, 6 A, 50/60 Hz (For Europe and China) AC 100 V to 240 V, 12 A to 6 A, 50/60 Hz (For the other countries)
Power consumption		MAX. 1.2 kW
Power consumption (Standby Mode)		0.4 W (When "Remote Start" is set to "Off")
Power consumption (Networked Standby Mode)		0.6 W (LAN) (When "Remote Start" is set to "On")
Heat dissipation		4092 BTU/h
Dimensions (W x H x D)		21 21/32 x 8 31/32 x 29 17/32 in (550 x 228 x 750 mm) (without protrusions) 21 21/32 x 10 5/16 x 29 17/32 in (550 x 262 x 750 mm)
Weight		Approx. 88 lb / 40 kg (excluding lens)
Supplied accessories		RM-PJ29 Remote Commander (1), Size AA (R6) Manganese Batteries (2), AC Power Cord (1), Operating Instructions (CD-ROM) (1)

*1 Optional feature

*2 This value is approximate. Depends on the projector setting condition and usage environment

*3 The lenses are optional accessories

*4 60p,30p,24p include 59.94/60Hz, 29.97Hz/30Hz, 23.98Hz/24Hz

4K

SXRD

Z-Phosphor
LASER LIGHT SOURCE

Dark Frame Insertion
Motionflow

HDR

OPTIONAL LENSES

Projection lens	VPLL-Z7008	VPLL-Z7013
Throw ratio	0.80:1 to 1.02:1	1.27:1 to 2.73:1
Zoom / Focus	Powered/Powered	Powered/Powered
Lens shift	Powered, Vertical: +/- 50 %, Horizontal: +/- 18 %	Powered, Vertical: +/- 80 %, Horizontal: +/- 31 %
Aperture	f/2.9	f/2.9 to 3.9
Screen size*	60" to 1000"	60" to 300"
Dimensions	Wide W 5 9/32 x H 5 9/32 x D 12 5/32 in (W 134 x H 134 x D 309 mm) Tele W 5 9/32 x H 5 9/32 x D 11 5/32 in (W 134 x H 134 x D 283 mm)	W 5 5/32 x H 5 5/32 x D 9 29/32 in (W 131 x H 131 x D 252 mm)
Weight	8.2 lb / 3.7 kg	5.7 lb / 2.6 kg

OPTIONAL ACCESSORIES

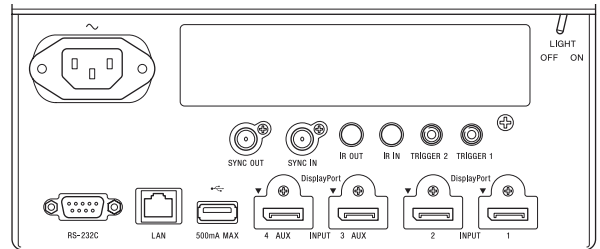


TDG-BT500A
3D Glasses

OPTIONAL LICENSES

Optional feature	Model name
Brightness Increase (+3000lm)	LSM-BRIN1
HDR compatible	LSM-HDR1
120Hz input	LSM-120P1
Infrared light output	LSM-NVG1

CONNECTOR PANELS



LASER NOTICES
For the U.S.A. and Canada
IEC 60825-1:2007



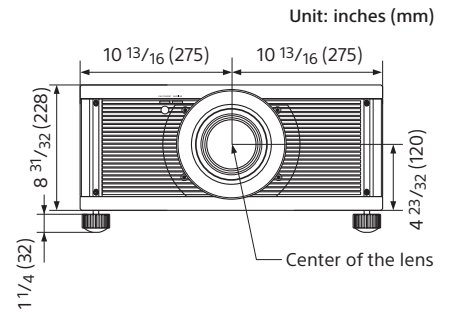
For other countries
IEC 60825-1:2014

CLASS 1 LASER PRODUCT
RISK GROUP 2 to IEC 62471:2006
Caution: Possibly hazardous optical radiation emitted from this product.

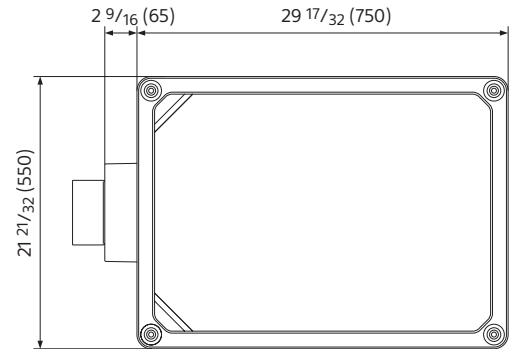


DIMENSIONS

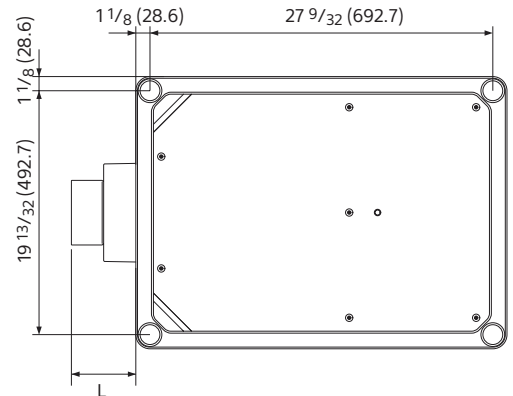
Front



Top



Bottom



The distance L is between the front of the lens (center) and the front of the cabinet.

Lens	L
VPLL-Z7008	Wide 7 9/32 (185.2) / Tele 6 1/4 (159.0)
VPLL-Z7013	5 1/8 (130.2)

©2016 Sony Corporation. All rights reserved.
Reproduction in whole or in part without written permission is prohibited.
Features and specifications are subject to change without notice.
The values for weight and dimension are approximate.
"SONY", "SXRD", "Z-Phosphor", "Motionflow" and "Remote Commander" are trademarks of Sony Corporation.
All other trademarks are the property of their respective owners.

Sony Electronics Inc.
1 Sony Drive
Park Ridge, NJ 07656
sony.com/4Kprojectors

DI-0329 (MK20052V2)

Issued in USA (2/16)